



File Name: Cq6230a-1 manual.pdf

Size: 4152 KB

Type: PDF, ePub, eBook

Category: Book

Uploaded: 26 May 2019, 21:54 PM

Rating: 4.6/5 from 640 votes.

Download Now!

Please check the box below to proceed.



I'm not a robot



reCAPTCHA
Privacy - Terms

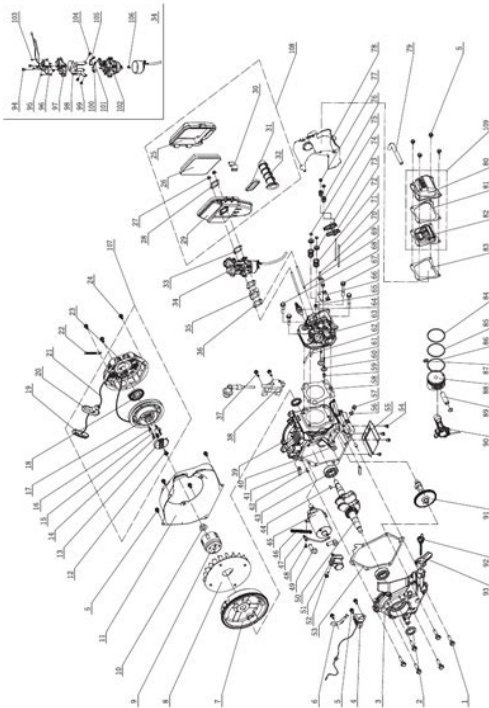
Book Descriptions:

Cq6230a-1 manual

Our goods has been mainly exported to USA and Europe and other Asia, south America countries, especially, Vietnam, Brazil, Argentina, Poland, Turkey and so on. In our company we have many professional technicians specialized in design, manufacture, inspection and aftersales services of our grinding machine. Also quality assurance has been always the key secret of our success. Every single machine is thoroughly tested under load before delivery the customers. Universal Mechanical Precision Lathe CQ6230A Universal Mechanical Precision Lathe CQ6230A Universal Mechanical Precision Lathe CQ6230A Universal Mechanical Precision Lathe Tengzhou Hising Machine Tools Co., Ltd. Universal Mechanical Precision Lathe Universal Mechanical Precision Lathe Universal Mechanical Precision Lathe CQ6230A Universal Mechanical Precision Lathe CQ6230A Q1 How many year you have been in this machinery exportation industry? Over 18 years. Updated daily. Updated daily. A wide variety of cq6230a lathe options are available to you. There are 65 suppliers who sell cq6230a lathe on Alibaba.com, mainly located in Asia. The top countries of supplier is China, from which the percentage of cq6230a lathe supply is 100% respectively. Universal Mechanical Precision Lathe CQ6230A Universal Mechanical Precision Lathe CQ6230A Universal Mechanical Precision Lathe CQ6230A Universal Mechanical Precision Lathe Tengzhou Hising Machine Tools Co., Ltd. Universal Mechanical Precision Lathe Universal Mechanical Precision Lathe Universal Mechanical Precision Lathe CQ6230A Universal Mechanical Precision Lathe CQ6230A Q1 How many year you have been in this machinery exportation industry? Over 18 years. About 96% of these are manual lathe, 1% are cnc lathe, and 1% are machine centre. A wide variety of cq6230a lathe options are available to you. There are 61 cq6230a lathe suppliers, mainly located in Asia. The top supplying country or region is China, which supply 100% of cq6230a lathe respectively. <http://www.seepmode.es/userfiles/florida-security-officer-manual.xml>

- **cq6230a-1 manual.**

Engine Parts Diagram



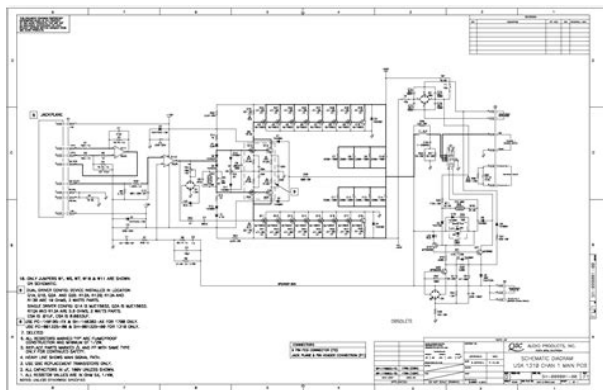
23 REV 755371-20140703

Let matching verified suppliers find you. Display your Products FREE now. The spindle is supported with precision roller bearings. Easy operating speed change levers. We also supply OEM service, and we are looking for agents in these areas. Wherever you are from, we are looking forward to explore new market with you. Updated daily. Updated daily. Please update your browser. We suggest using Google Chrome or Mozilla Firefox. Every need or request would be answered at our best considering customers greatest interests. CJ Machinery values each relationship among our worldwide customers and hopes every unique requirement of our customers could be satisfied. WhatsApp 0086 13851005559 Please do not hesitate to contact us for more details or data sheets, all other questions would be fully welcomed too. Latest MACHINERY CATALOGUES are available now. Download them on our official website or directly contact us. CJ Machinery always insist on the concept of providing our customers the most enjoyable metal working experiences. Every need or request would be answered at our best considering customer's greatest interests. CJ Machinery values each relationship among our worldwide customers and hopes every unique requirement of our customers could be satisfied. Certifications CE certificate More customer More Credit to customer, More customer, More and More Business Cooperation. Please go to Thank you Neil You can dismiss this Love the forum and contributions. Ron Hall Likely you dont really want the manual that came with it, they are pretty shocking. But I likely have one anyway lol. Grizzly machinery have much better manuals. Ill likely have one of those as well. Stuart Likely you dont really want the manual that came with it, they are pretty shocking. But I likely have one anyway lol. Grizzly machinery have much better manuals. Ill likely have one of those as well. Stuart But at least you tried. If you want a copy, I can scan and post it. Here is what it looks like. <http://acmswellness.com/MyFiles/florida-school-food-service-reference-manual.xml>

I took the photo when I drained the smelly gearbox oil that was in it and replaced it with ISO68 oil. I pdfed it sometime ago for another forum member. Its too large for the forum. Ill email it shortly. Im pretty sure the grizzly manuals are more specific. StuartThe QCGB will likely be different. The levers for speed changes maybe different also, depending on when the lathe was made. The carriage handles maybe back to front. But other than that its about the same StuartThey are the best I have seen of the different manuals that come with Chinese lathes. The quality of the manual indicates to me that the Grizzly product may well be a good cut above the competition. It appears as though they are big enough to influence the Manufacturers to build a decent saleable product. Oh to be able to buy a machine tool product and all thats needed is to open the box, clean off the packing grease, adjust it and use it. Come on Grizzly, find an Australian partner and send us some respectable machine tools to buy. GrahameYes I believe he did. The other pictures are of a earlier model with a different QCGB. There are three QCGBs for this lathe, they are all in the above pdf. I assume yours is on page 34 I have a 20meg zip of the manual that came with my lathe, The only thing I can see that mine has the pdf doesnt, is a wiring diagram, though some CQ6230A have a more basic wiring than my machine. Try sending me a private message with your email address if youd like a copy. Feedback Buttons provided by. All rights reserved. This website and its content is copyright of UBeaut Enterprises. You may not, except with our express written permission, distribute or commercially exploit the content. Nor may you transmit it or store it in any other website or other form of electronic retrieval system. Please update your browser. We suggest using Google Chrome or Mozilla Firefox. We think we can give you the most comprehensive support not only service but also techniques.

Because we are a knowhow machinery expert. View more about www.zgmingde.com. FAQ. Please update! 2. You exceeded a normal user profile and requested too much data. The use of For real webmaster we offer content feeds of our directories. The new Leadwell T6 SMY MY range of machines have many highly desirable features MORE POWERF. Operating a OSP3000L CNC Control Unit as pictured this is an extremely reliable lathe and used in our family operated engineering business for component machining. It is only being decommissioned as we have purchased a new CNC. It is operational on our workshop floor but must be sold to make way for the installation of our replacement CNC which we have already had delivered. We run a number of Okuma units as they are excellent reliable workhorses with a good back parts and service options. It would suit a engineering firm that wishes to machine thei. Order Code L765 To suit any lathe that uses soft j. Using our 25 years of experience, the entire staff at LEADWELL pledges to bring innovation, quality assurance, world class after. Roller type linear guideways for enhanced. The manual lists the spindle bearings as D7211 outboard CQ video Grace Gui Loading. Unsubscribe from Grace Gui. Cancel

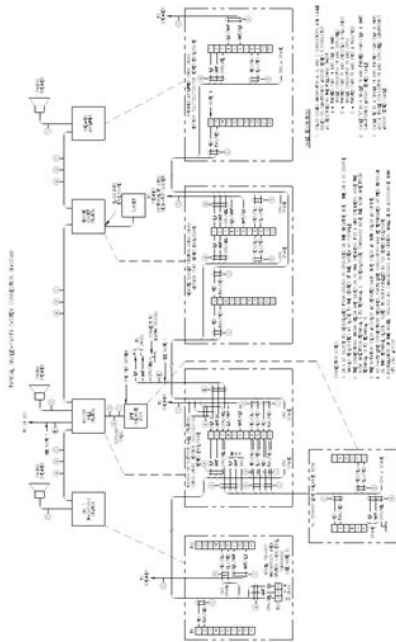
Unsubscribe Working. Subscribe Subscribed Unsubscribe. Short demo of machine in operation for sale on ebay World Dangerous Idiots Bulldozer Heavy Equipment Operator Skill Fastest Underwater Dozers Driving Duration. Great cq6230a lathe products are offered for sale by suppliers on, of which manual lathe accounts for 95%, cnc lathe accounts for 1%, and machine centre accounts for 1%. A wide variety of cq6230a lathe options are This banner text can have markup. SKU For technical questions, please call Page Save thiS Manual Keep this manual for the safety warnings and precautions, assembly, operating, inspection, maintenance and cleaning procedures.



<https://www.informaquiz.it/petrigenis1604790/status/flotaganis22052022-1846>

Features CQ horizontal metal precision manual bench lathe machine with CE 2 Bench lathe machine CQ 3 Precision ground and hardened bed ways The spindle is supported with precision roller bearings.Doc Author Hugo Lobpreis Created Date PM. Full text of GearedHead Lathe CQ6230A Operation Instruction See other formats GEAREDHEAD LATHE Instruction MODEL CQ6230A CAUTION 1. WHEN UNPACKING, LATHE ACCESSORIES SHOULD.I cant find a wiring diagram that reflects what is actually in the box. Buy Axminster Lathes and get the best deals at the lowest prices on eBay. Vi service och reparationer maskiner och parts for chinese lathe Jim Stewart AM I was setting up the tailstock for a taper and figured I could adjust it a couple of tenths by tightening one side without loosening the other. I put quite a lot of torque on the screw. The file is the Owners Manual for an Axminster CQ6230A Metal Turning Lathe, although the download filename is manual.To start viewing messages Toolex industrial tool and machinery sales, service and spares. New Account Registration Enter your details below to register a new account. All field marked with an are required. China Cq6230A High Precision Small Mini Metal Lathe for Sale, Find details about China Metal Lathe, Lathe from Cq6230A High Precision Small Mini Metal Lathe for Sale Anhui Boxon Machine Tools Co. Description CQ bench lathe made by LUNAN precision ground, hardened bed ways the stand is made by cast iron made for Japan. China Universal Precision Metal Cutting Gap Bed Bench. 9 X 20 geared head belt driven bench lathe. Metal Lathe CQ 6230A Moonah Machinery. Full text of Geared Head Lathe CQ6230A Operation. Www axminster co uk. Axminster AWWSL900 Manuals and User Guides Lathe. To start viewing messages,It runs fine except it seems you have to push and hold the black button to run it, and the red button that turns and locks, to stop it.

<https://diatecgroup.com/images/966g-caterpillar-manual.pdf>



I don't know much about lathes but it seems that the red, turning and locking button should start it, and the black push button should stop it. The way it is now, you have to hold the button in to keep it running. Too bad it didn't come with a manual. Anyone have any ideas? Once you twist it, and it pops out, you should never have to touch it. The black button is almost surely the jog button. You only need to use it when you want to rotate the spindle a little bit. Your lathe should have probably a green button to turn the power on, sounds like you have no problems there. The spindle is more than likely started and reversed by a lever on the right side of the apron. Pull it up, and off you go. You need to get a manual so you will have the lube specs and other useful things like that. Now what I need is a manual. Do Asian machines generally come with one? You know inspected by inspector 234 on day 36 of production with the following things verified. Send me a picture and I will try to identify some things on it. Rob The lever on the apron starts the lathe in the normal direction when pushed up, and in reverse if you move it towards the tailstock and push it down. franco You push it towards the tailstock then down to engage the saddle cross feed. The lever on the apron pointing towards the tailstock controls the half nuts used when cutting threads. There is an interlock between this and the feed lever which stops both being engaged at once. My manual is for the earlier CQ6230, not the CQ6230A, but they appear to be almost identical except for the controls for the threadcutting gearbox. Recommended oils are Mobil DTE Light for the Headstock gearbox and threading gearbox, and Mobil Vactra No. 2 for everything else. Let me know if you need any other info. Here's the link to their site. There's limited info there but if it looks like the machine pictured, you might try some of the online catalogs. They sometimes have user manuals you can download.

<http://dieter-sauter.com/images/965p-s3-manual.pdf>

It is strange that a new lathe wouldnt come with a manual.They must change the model from time to time, mine was made in 2003 but looks a little bit different from the photos ive seen. The specs are more or less the same, but the gear changing levers are in different positions. Thanks for the info guys. You could easily download and print these. There is a considerable overlap in all these 12x36 lathes modus operandi. Even with the manual it took me about an hour to figure out how to turn on the lathe never used one before.If yours was manufactured in 2003, it should be on this link. The lathes sold here as CQ6230A appear to be very similar, except that they have different levers on the threading gearbox dont know whether the gearbox is the same, but the control levers are similar to those on the headstock gearchanges on the CQ6230A. The CQ6230 lathes sold here had two levers which locate using spring loaded plungers in holes on the threading box as shown in the photo in the link, like the old Norton quick change boxes. These are awkward to use the later type should be an improvement. Regards, franco. The spindle is supported with precision roller bearing. The hole through main spindle is 38mm and the highest speed for main spindle is 2000rpm. Created by Webspt Web Hosting. This means the item is being sold in its current condition, regardless of any faults or damage. The bidder accepts full responsibility in satisfying themselves with the item prior to bidding. It is recommended that if the bidder is in doubt, not to bid as no returns or refunds will be made including in circumstances where you have changed your mind or purchased the same or a similar item from Gregsons or elsewhere. If sufficient funds are not available on the credit card after 24 hours of notification, your account will automatically be suspended from any further bidding.

When you register with the Service, you are deemed to have accepted, and will be bound by the User Agreement, as amended and varied by us from time to time. It also sets out our obligations to you. If you breach any of these conditions, we may decide not to allow you to use the Service, or claim damages against you. However, we do not intend to act unreasonably. Please take time to read these terms and conditions and make sure you understand them. If you have any questions, please read our FAQ section. These amendments will usually take effect 7 days after the changes have been posted on the Site. You should review this User Agreement from time to time for any amendments. Please ensure you are familiar with them as changes may have been made to previous versions. In particular, please carefully read all information relating to the Auction Info, Lot Page, Item Page, etc which contains important information relevant to each particular sale on the Site. When using the Service, you must not resell access to the Service to another person or make commercial use of the Service. b. If a government department, government agency or law enforcement agency informs us that there is any information on a Site which is in contravention of, or may contravene, any law, industry code of practice, policy guideline or regulation, we can remove that information from the Site. c. Without limiting any other remedies available to us, we may suspend or terminate your

account if we reasonably suspect that you may have engaged in fraudulent activity in connection with a Site. We may, in our sole discretion, immediately terminate your Account and use of the Service if your conduct is deemed by us to be inconsistent with the User Agreement or our standards of practice. However, in exercising our rights, we do not intend to act unreasonably. Your obligations to us won't be reduced for any reason including for example where you use a false name.

<https://www.birdandwildlifeteam.com/wp-content/plugins/formcraft/file-upload/server/content/files/16286769261e2c---C64-manual-scans.pdf>

If your details have changed since you last used the Service, you must provide us with the updated details. We are not responsible for any loss or damage including misdirected emails or deliveries which may occur because you have not provided us with complete and accurate information. c. When you register for the Service, you must choose your user name and password. You are responsible for the security of your user name and password. We may assume that anyone using your user name and password is authorised by you. Unauthorised access and use of your details will, under no circumstances, reduce your liability in connection with using the Service. This includes your obligation to purchase an item which may result from use of your user name and password. When you are no longer the highest bidder, or when the auction closes, you may request that your Account be closed. h. We will only close your account if i. any online auction at which you have bid has closed, ii. This means you must not use the Service if you i. are under 18 years of age; ii. These transactions may appear in your credit card statement. By registering, you irrevocably authorise us to process these transactions. In dealing with Your Information, we will always act reasonably. c. You must ensure that your information i. is true, accurate and complete; ii. Please do not rely solely on the title summary or any photographs of the item posted on the Site for a complete description of an item. You must not assume that the description or photograph of the item in any way offers an opinion or an assessment of the suitability of an item for you. If a photograph is provided, please use it as a guide only. e. Please make sure you understand the collection and payment terms, including any amendment to those terms and conditions as outlined in the items description or in the Auction Info and Lot Page.

www.comycevalencia.com/galeria/files/comparison-between-manual-transmission-and-automatic-transmission.pdf

Usually a Buyers Premium, and other charges including a delivery fee, will apply to online auctions please refer to clause 3.2 for examples of additional charges. f. You must not engage in bid manipulation. Cash payments will not be accepted at pickup sites, other than Gregsons main office at 26 McDowell St, Welshpool WA 6106. b. You may present your credit card or cash at our office, for payment. Payment by credit card will incur a surcharge to offset our cost of acceptance of payment by credit card. The surcharge varies depending on credit card type. The surcharge will be calculated on the total Invoice amount. c. If we find that the amount of credit available on your credit card is insufficient to cover the Invoice Amount, we can deduct any portion of the Invoice Amount that is owing to us from your credit card on account of payment of the Invoice Amount in full. d. If we are unable to deduct from your credit card the total amount owing to us in one transaction, we may process any number of transactions on your credit card until the total amount you owe us is paid. e. If you i. i refuse to pay or otherwise fail to complete the purchase of an item when you are the Winning Bidder for example, if your credit card balance is insufficient to meet all money due; We may also sue you to recover the balance of the Invoice Amount and any other amounts owing to us under these terms and conditions. In exercising our power of forfeiture, we will not act unreasonably. For example, we may close an online auction if i. there is or we suspect there may be, fraudulent or malicious bidding; ii. While you are the current highest bidder on an online auction, you will not be permitted to lower your current bid with a new lower bid, nor will you be permitted to lower your bid quantity with a new bid. If you want to decrease your quantity, you must

wait until your current highest bid is exceeded by another bidder. The Extension Period may vary from time to time by a number of seconds.

We accept no responsibility for any circumstances or incidents arising as a result of any slight variations that may occur in the Extension Period. b. When an online auction in which you have participated closes and you are the Winning Bidder, we intend to notify you by email. This notice will include i. notification that you are the Winning Bidder and of the amount of your winning bid; and ii. You may not receive this email, however, you are solely responsible for monitoring the status of any online auction in which you participate and nonreceipt of a Winning Bidder or any other email from us will not reduce or release you from your obligation to complete the sale and purchase the auction sale item. d. When you place the winning bid at an online auction, we may charge the cost of your purchase and the cost of the applicable delivery fee, together with any other purchases you have made in accordance with clause 3.2. e. If you are the Winning Bidder for an item at an online auction, you must complete the transaction and purchase that item. f. You acknowledge that i. unless otherwise stated all prices are quoted in Australian dollars; and ii. This means the item is being sold in its current condition, regardless of any faults or damage. The bidder accepts full responsibility in satisfying themselves with the item prior to bidding. We may contact you to request further information or evidence to support your claim. d. If we, acting reasonably, accept that you have valid grounds to return an item to us then we will email you a returns form, and within ten 10 business days of this being emailed to you, you must either return the completed form with the item to follow within a short and reasonable period or the item together with the completed form to us, and if you fail to follow this procedure and comply with this timeframe then you will be deemed to have waived your right to return such item or claim any refund. e.

If the above procedures are followed by you then we will inspect the item once back in our possession to determine if it was damaged, faulty or materially incorrectly described as claimed, and if we agree with your claim then we will either repair or replace the item, or refund you the Invoice Amount, as we determine reasonable in the circumstances, or if we disagree with claim then the item will be returned to you and we will be entitled to recover our reasonable handling and delivery costs which you hereby authorise us to process against any credit card you have registered with us. f. When items are returned to us all parts, manuals and original packaging must also be returned to us. Please be aware that this is not a reference to the current recommended retail price of the goods but rather a reference to the retail price supplied by the manufacturer, distributor or retailer of the item at the time of the items original sale. That price may not be current retail price as at the time of the sale. We take no responsibility for the display of ORPs on any item listed on the Site. You must satisfy yourself as to the value of the item being sold. b. In certain circumstances, an item for sale on the Site may include reference to the manufacturers Recommended Retail Price RRP. Usually if a RRP is included with a sale item, the RRP has been supplied by the Vendor of the item and we assume the Vendor believes the RRP is current at the time the item is placed on the Site for sale. We accept no responsibility for the accuracy or otherwise of any RRP included on any item listed for sale on a Site. We suggest users independently satisfy themselves as to the value of the item being sold. It is your responsibility to contact the relevant manufacturer in relation to all questions and claims relating to the manufacturers warranty. b.

To the extent permitted by law, we do not provide any representation or warranty in relation to any manufacturers warranty that accompanies this product. In particular, we do not represent that the manufacturers warranty is compliant with the Australian Consumer Law. Any rights that you may have in respect of the manufacturers warranty are against the manufacturer and not us. In those circumstances you will be permanently suspended from the Service, including all associated secondary and reregistered membership accounts. b. We may suspend, cancel or terminate your access to the Service and remove any bids if you breach or fail to observe the User Agreement or for

any other reason at our discretion. However, we will not exercise our discretion unreasonably. c. If we suspend your access to the Service, you may not register again. We intend to refer fraudulent users to the police and to your Internet Service Provider. b. You may be sued for any losses suffered by any person arising out of any bid manipulation or illegal action. c. If your credit card balance is insufficient to meet all money due to us, or a chargeback is made on the credit card then in addition to all other remedies available to us under the User Agreement, we may immediately institute proceedings against you for any amount owing to any person. For example, we will make these changes where processing errors, technological errors or other errors result in loading of incorrect information. Operation of the Sites may be restricted by factors outside of our control or during maintenance. e. You acknowledge that the internet can be an unstable and, sometimes, insecure environment. At times the Service may not be available and offers may not be processed or accepted. f. We cannot guarantee that we will notice or be able to prevent any illegal or inappropriate use of the Site. g.

We cannot guarantee the preservation of any record, particularly after the provision of the Service to you has been suspended, cancelled or terminated and may delete information at our sole discretion and without notice to any person. Gregsons does not give any warranty as to the completeness or accuracy of any information provided to you about any sale of Items, including without limitation any information in relation to the distance travelled by a vehicle or its machine or engine hours and Gregsons will not be liable for any loss, damage, cost or expense suffered or incurred by a buyer arising out of incorrect or incomplete information. You agree to independently verify any information which is important to your purchasing decision. d. The Seller represents and warrants to you and Gregsons that the Item is not subject to a security interest of any kind including without limitation under the Personal Property Securities Act 2009 Cth PPSA other than a security interest in favour of the Seller which will be released at or prior to the time title in the Item is intended to pass to you. e. Neither the Seller nor Gregsons will be liable for any loss, damage, cost or expense suffered or incurred by a buyer arising out of the sale and purchase of an Item. f. You agree and acknowledge that no member of the Gregsons Group accepts any liability or responsibility to you or any third party arising from any indirect or consequential loss, damage or expense of any kind or nature and you release and forever discharge each member of the Gregsons Group from any such liabilities and any claims, demands or causes of action in respect thereof. g. No member of the Gregsons Group accepts any responsibility for any interpretation which may be placed upon the information provided to you. h. Any deficiency in the Items sold shall not vitiate the sale, but neither the Sellers nor Gregsons shall be bound to deliver more than is in their possession. i.

To the extent permitted by law, all express or implied conditions or warranties in connection with the Service, the Sites and the sale of any goods are excluded. j. We do not exclude liability under any guarantee, condition or warranty which cannot be excluded by law. For example, we do not exclude guarantees under the Australian Consumer Law that apply to goods we sell. However, to the fullest extent permissible by law, we expressly limit our liability for breach of a guarantee, condition or warranty implied by virtue of any law at our option i. in the case of goods supplied to A. the replacement or repair of the goods; B. the supply of equivalent goods; or C. making a full refund to you. ii. ii in the case of services supplied to A. supply of the services again; B. payment of the costs of having the services supplied again; or C. making a full refund to you. Your failure to strictly adhere to those collection times and arrangements, may result in the item being removed from those premises and although we will exercise all reasonable care on your behalf, we do not have custody or control of those items and accordingly we will not be liable for the unavailability of the item or the fact that no refund of the purchase price is made to you. g. Unless outlined in the Auction Info, Item Page Lot or Lot Page, delivery of bulky goods for example large TVs, furniture, and whitegoods assumes ground floor front door delivery. h. Whenever you visit any place where goods are stored to inspect or collect them, you must comply with i. any law relating to occupational health and safety;

ii. The Auctioneer, his or her agents, employees or principals shall not, in any way be liable for any injury sustained to any persons or for any damage to or loss of property howsoever caused. k. All persons attending the auction site under the age of 16 years are required to be in the care of and under the supervision of an adult. l.

<http://www.bouwdata.net/evenement/boss-gt-6-guitar-effects-processor-manual>