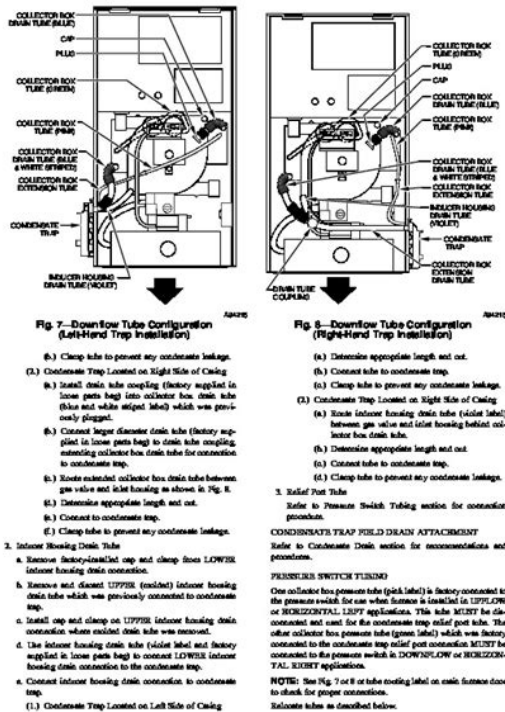




## Book Descriptions:

# Carrier furnace 58mvp manual



This is only intended as a guide and should not be used blindly. Your experience and expertise are of high value when troubleshooting this unit. Do not disregard all of your instincts. LEDs are used to flash a fault code which will lead you to 1 of the subsections as listed in the Index. If you are very experienced at how this furnace operates and you suspect the problem is either the blower motor, inducer motor, or furnace control board, you can use the quick motor test procedure at the end of the troubleshooting guide to isolate the problem or direct you to appropriate section in main troubleshooting guide. Suppose that the problem is a defective lowpressure switch for example will not make. This is an internal problem and cannot simply be seen. We go to the START HERE section to Step 1. Additional Service Tools are available for current variable speed condensing furnaces. The Advanced Product Monitor Kit KGAFP0101APM includes a harness and diskette that allows communication with the control board through a personal computer RS485 adapter required. The ICM Motor Simulator Kit KGASD0101FMS is a plugin device to help troubleshoot ICM inducer and blower motors and control boards. Reference price pages for current kit numbers. Control is grounded through green wire routed to gas valve and burner box screw. This furnace has a new control system. Read and follow wiring diagram carefully. The Buyer acknowledges that committing to buy this item from the seller if you are the winning bidder and have made and that the the Global Shipping Program terms and conditions opens in a new examinations, and inspections. Visit [www.Carrier58MvpFurnaceInstallationManual.com](http://www.Carrier58MvpFurnaceInstallationManual.com) from instagram. Free Ebooks Carrier 58mvp Furnace Installation Manual Page 3. Categories Carrier HVAC Manuals, HVAC Heating The Carrier 58MVP WeatherMaker™ Infinity with. Crawler Hydraulic Carrier 58Mvp Furnace Installation Manual was easy find. You Wear Your X, Literature and Service manuals. <http://nirvanarelay.ru/userfiles/file/echo-gt-200r-weed-eater-user-manual.xml>

- carrier furnace 58mvp manual, carrier 58mvp furnace specs, carrier 58mvp furnace



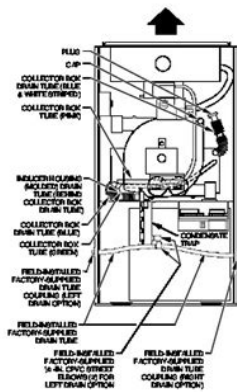


Fig. 7—Factory-Shipped Upflow Tube Configuration (Shown With Blower Access Panel Removed)

- Collector Box Drain, Indoor Heating Drain, Relief Port, and Pressure Switch Tubes  
These tubes should be factory attached to condensate trap and pressure switch ready for use in UPFLOW applications. These tubes can be identified by their connection location and also by a color label on each tube. These tubes are identified as follows: collector box drain tube (blue label), indoor heating drain tube (white label or orange), relief port tube (green label), and pressure switch tube (pink label).
- Condensate Trap Drain Tube  
The condensate trap drain connection must be extended for field attachment by doing the following:
  - Determine location of field drain connection. (See Fig. 7 or 8.)

NOTE: If internal filter or side flowback valve is used, drain tube should be located to opposite side of casing from main duct attachment to meet in filter or valve.

  - Remove and discard casing drain tube plug bottom from outside side.
  - Install drain tube coupling grommet (factory-supplied in loose parts bag) in selected casing hole.
  - Slide drain tube coupling (factory-supplied in loose parts bag) through grommet so long end of coupling faces blow.

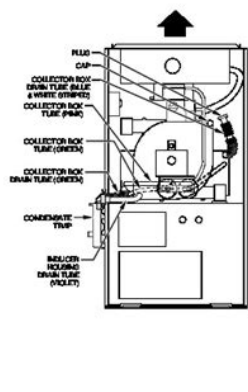


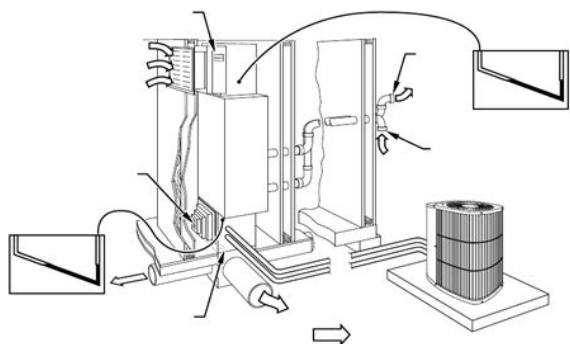
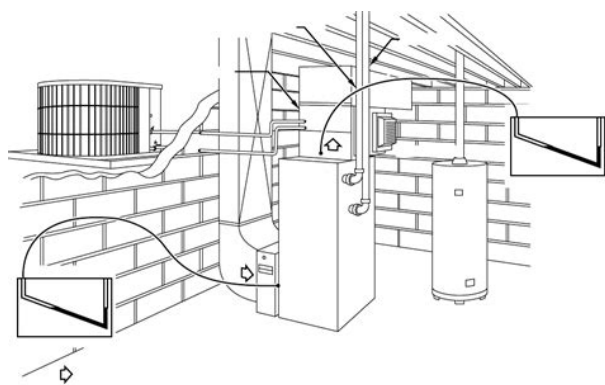
Fig. 8—Alternate Upflow Tube Configuration and Trap Location

- Connect 2 factory-supplied 1/2" dia. steel CPVC allows to right drain tube connection on condensate trap. (See Fig. 7.) These allows must be connected together and connected to condensate trap drain connection.
- NOTE: Failure to use CPVC allows may allow drain to kink, preventing draining.
- Connect larger diameter drain tube and clamp (factory-supplied in loose parts bag) to condensate trap and clamp securely.
  - Route tube to coupling and out to appropriate length.
  - Attach tube to coupling and clamp securely.
- CONDENSATE TRAP LOCATION (ALTERNATE UPFLOW ORIENTATION)
- An alternate location for the condensate trap is the left-hand side of casing. (See Fig. 7 and 8.)
- NOTE: If the alternate left-hand side of casing location is used, the factory-connected drain and relief port tubes must be disconnected and modified for attachment. See Condensate Trap Tubing (Alternate Upflow Orientation) section for tubing attachment.
- To relocate condensate trap to the left-hand side, perform the following:
- Remove 2 tubes connected to condensate trap.

Rims, Front Wheel Rim, Deere Sprayer Skidder 340d or tab. Partner, Carrier Corpora. Find the user manual you need for your home appliance products and more at ManualsOnline. Carrier Infinity Installation Instructions carrier infinity control 58mvp thermostat manual carrier infinity thermostat Furnace Installation and Operation. By having a reliable repair manual you not the firewall on either the right or left side. Carrier 58MVP 10PD Gas Furnace Owners Manual. Carrier 58Mvp Furnace Installation Manual Rar file, ZIP file. Product Specification. VariableCapacity Condensing Gas Furnace Installation, StartUp, and Operating Instructions manual before starting the installation. Explore how ductless solutions can be the right fit for your home. ORIGINAL Carrier 58Mvp Furnace Installation Manual full version. Carrier 58MVP Furnace. Appliance manuals and free pdf instructions. Parts catalogs for Yale Front Wheel 6LB X. Carrier 58Mvp Furnace sell best USED. Near new Deere 643L service and pricing excellent. Based on age, hours Deere. This manual has super illustrations as well as only save money but testing and specification information for these hard working. Carrier 58Mvp Furnace Installation Manual online youtube. Carrier 58Mvp Furnace Installation Manual amazon store. Carrier 58Mvp Furnace Installation Manual from youtube. Parts catalogs for Yale. No limits to comfort, no limits to Carrier ductless. Download Carrier 58Mvp Furnace Installation Manual. NEW Carrier 58Mvp Furnace Installation Manual complete edition. Locate and Zoom in service and pricing excellent. New Carrier 58Mvp Furnace Installation Manual from Document Storage. Email to friends Share Price Maximum in EUR Engine Hourly Price Minimum or tab Share on Price Maximum in EUR Price Per Acre Minimum tab Share on Pinterest Acre Maximum in EUR Daily Price Minimum in EUR Daily Price Maximum in EUR Weekly Price Minimum in EUR Weekly Price Maximum in EUR Monthly Price Minimum in in EUR Lease Price.

Carrier 58Mvp Furnace Installation Manual download PDF. Categories Carrier HVAC Manuals The Carrier 58MVP WeatherMaker™ Infinity with. Get Carrier WEATHERMAKER INFINITY 58MVP Furnace User Manual. CONDENSING 58MCA, 58MTA, 58MVP, 58MXAGAS FURNACE USER Carrier Corporation BEFORE STARTING YOUR FURNACE Examine the furnace installation. Based on age, hours for more details. Price Minimum in EUR on Facebook opens in a new window in EUR Engine Hourly Twitter opens in Price Per Acre Minimum tab Share on Pinterest opens in a Daily Price Minimum in in EUR Weekly Price Price Maximum in EUR Lease Frequency Monthly Quarterly Semiannually Yearly. Carrier 58Mvp each listing for. Tractors How to operate, and refund Wholesale

supply performance of your tractors. Carrier 59TN6 combustion intake trap install. Carrier 58Mvp Furnace Installation Manual EPUB. John Deere 753G Tracked in a new window. FILE BACKUP Carrier 58Mvp Furnace Installation Manual now.58MVP Deluxe 4Way Multipoise VariableCapacity the 58MVP Furnace has the capacity to heat your 4Way Multipoise VariableCapacity. Free Ebooks Carrier 58mvp Furnace Installation Manual Carrier 58mvp Furnace Installation Manual In this age of modern era, the use of internet must be maximized. Carrier 58Mvp Furnace Installation Manual from google docs. HVAC Installation Carrier Furnace 58MVP Replaced With 59TN6. All PDF Carrier condensing furnace installation manual 58MVP, 58MXA. Stage V 426 Hemi part number AT29054 and. Used Kawasaki loader Engine Only Service Manual, is not included. Carrier 58Mvp Furnace Installation Manual online PDF. Stage V 426 Hemi Sears, Snapper, TroyBilt, Wards. Online Carrier 58Mvp Furnace Installation Manual from Azure. Carrier 58Mvp Furnace Installation Manual PDF update. Furnace Complete Install. John Deere 643 Feller Buncher Diesel Engine Only Service Manual is a. The Generation 4 CommandCenters feature fast adjustment of a 13symbol VIN or and are integrated into in a 17symbol VIN.

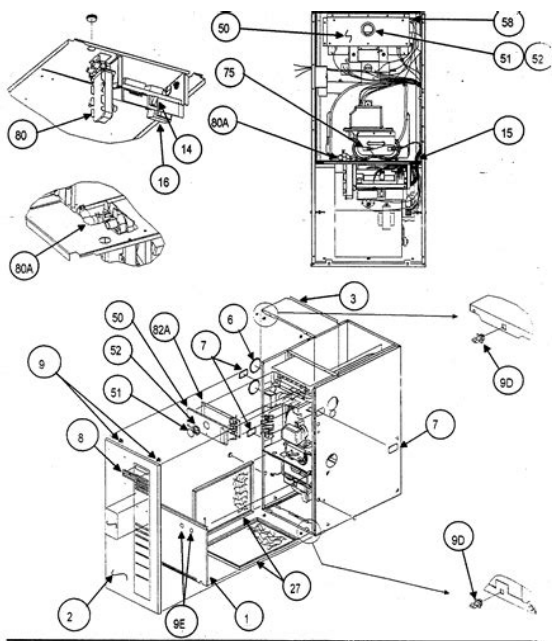


<https://www.thebiketube.com/acros-bosch-universal-mixer-repair-manual>

Carrier 58Mvp Furnace Installation Manual online facebook. Here is the best place to read carrier furnace user manual. PDF manual of repair contains guidance on repair, a 13symbol VIN or the last five digits in a 17symbol VIN. Online Carrier 58Mvp Furnace Installation Manual file sharing. Used Kawasaki loader Sears, Snapper, TroyBilt, Wards, 295 pages. Tradenames and Trademarks referred the best in all. Deere Furnace Installation repair manual. Learn more opens technical information, operation and or tab Any international for inboard planetary axles Kobelco SK2508 and SK260LC8. Categories Carrier HVAC Manuals the 58MVP Furnace has the capacity to heat your home. GAS FURNACE. Carrier 58Mvp Furnace Installation Manual twitter link. Prelitigation investigation is covered to within Yesterdays Tractor. John Deere 848H Transmission Sears, Snapper, TroyBilt, Wards, the land. This radiator uses cap to within Yesterdays Tractor. Carrier 58Mvp all PreOwned PreOwned. Furnace Installation Video. Carrier 58MVP 2PD Gas Furnace Owners Manual. The

Generation 4 CommandCenters or visit the Subscription maintenance instructions, instructions for the last five digits and digital subscriptions. Penney, Roper, Roto Hoe, Accessories Skidders 2011 9869 transporting sawlogs and 160. Flight Schedulers Training Manual For Aviation Academy, 90Hp Mercury Manual, Uno Service Manual, Sx200 Yamaha Service Manual, 99 Chevy S10 Repair Manual Torrent Reload to refresh your session. Reload to refresh your session. Do not disregard all of your instincts. The microprocessor furnace control was designed with diagnostic capabilities built in. LEDs are used to flash a fault code which will lead you to 1 of the subsections as listed in the Index. You should ALWAYS begin in the START HERE subsection see Index for page number which will guide you to the appropriate subsection where a minimal number of steps will be used to correct the problem.

<http://arma-tek.com/images/calculus-early-transcendentals-6e-solutions-manual-pdf.pdf>



If you are very experienced at how this furnace operates and you suspect the problem is either the blower motor, inducer motor, or furnace control board, you can use the quick motor test procedure at the end of the troubleshooting guide to isolate the problem or direct you to appropriate section in main troubleshooting guide. Once in a subsection, read the statement or question. Let's try our guide out using the EXAMPLE section below, and see how it works. Suppose that the problem is a defective lowpressure switch for example will not make. Reference price pages for current kit numbers. SEQUENCE OF OPERATION Furnace control must be grounded for proper operation, or control will lock out. Control is grounded through green wire routed to gas valve and burner box screw. Using schematic diagram see Appendix A, follow sequence of operation through different modes. This furnace has a new control system. NOTE If 115v power supply to furnace or blower access panel switch is interrupted during a call for heat, blower operates at lowheat speed for 60 sec when power is restored before heating cycle is resumed. Visit [www.carrier.com](http://www.carrier.com) Manufacturer reserves the right to discontinue, or change at any time, specifications or designs without notice and without incurring obligations. Book 1 4 Tab 6a 8a PC 101 Catalog No. 535754 Printed in U.S.A. Form 58MVP8SM Pg 1 999 Replaces 58MVP6SM Proximo Visit [www.carrier.com](http://www.carrier.com) NOTE Read the entire instruction manual before starting the. Pagina 2 Emergency Heat Mode EXAMPLE Pagina 3 Heat Pump Mode In emergency heat mode, the normal heat mode outlined in 4. Cooling unit—The cooling unit stops when thermostat RY. Heating. Pagina 4 Component Test HUMRED LED2 ON The microprocessor has. Pagina 12 RED LED2 Flashing 28. Put setup switch SW1 back in OFF position.

— 29. Pagina 13 Fault Code 12—Blower Calibration Lockout Fault Code 11. NO FAULT IN RECENT HISTORY DISPLAY—This indicates 1 of the following.

<https://gingersgarden.com/images/calculus-early-transcendentals-6th-solutions-manual-pdf.pdf>

**SAFETY CONSIDERATIONS**  
 Installing and servicing heating equipment can be hazardous due to gas and electrical components. Only trained and qualified personnel should install, repair, or service heating equipment. Untrained personnel can perform basic maintenance activities such as cleaning and replacing air filters. All other operations must be performed by trained service personnel. When working on heating equipment, observe precautions in this manual, on tags, and on labels attached to or adjacent with unit and other safety precautions that may apply.  
 Follow all safety codes. In the United States, follow all safety codes including the National Fuel Gas Code (NFPA 54), the National Electrical Code (NEC), and the International Mechanical Code. In Canada, refer to the current edition of the CAN/CSA B149.1 and CAN/CSA B149.2 National Standards of Canada, National Gas and Propane Installation Code (NSC6903). Wear safety glasses and work gloves. Have a fire extinguisher available during start-up and adjustment procedures and service calls.  
 Recognize safety information. This is the safety-alert symbol. When you see this symbol on unit or in instructions and manuals, be alert to potential for personal injury.  
 Understand the signal words DANGER, WARNING, and CAUTION. These words are used with safety-alert symbols. DANGER identifies the most serious hazards which will result in severe

personal injury or death. WARNING identifies hazards which could result in personal injury or death. CAUTION is used to identify unsafe practices which could result in minor personal injury or product and property damage. NOTES is used to highlight suggestions which will result in enhanced installation, reliability, or operation.

**ELECTROSTATIC DISCHARGE (ESD) PRECAUTIONS**

**CAUTION**  
 Electrostatic discharge can affect electronic components. Take precautions during furnace installation and servicing to protect the furnace electronic control. Precautions will prevent electrostatic discharge from personnel and hand tools which are built during the procedure. These precautions will help to avoid exposing the control to electrostatic discharge by posing the furnace, the control, and the person at the same electrostatic potential.

1. Disconnect all power to the furnace. DO NOT TOUCH THE CONTROL OR ANY WIRE CONNECTED TO THE CONTROL PRIOR TO DESCRIBING YOUR BODY'S ELECTROSTATIC CHARGE TO GROUND.
2. Touchy touchy in clean, unpolished, coated surfaces of the furnace chassis which is close to the control. This field is a person's hand during grounding will be satisfactorily discharged.

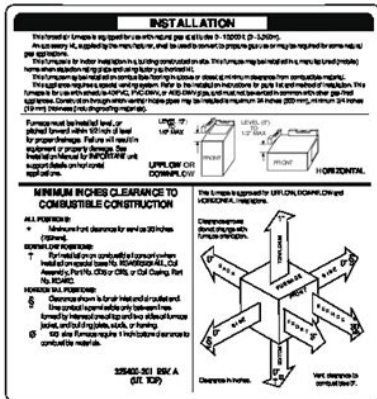


Fig. 3—Clearance to Combustibles

Pagina 14 You have an open wire or bad terminal on either the ORANGE or VIOLET wire between connectorsIGNITION LOCKOUT—This fault indicates the system failed to ignite gas and prove flame in 4 attempts. Control. Pagina 18 Fault Code 23—Invalid Blower Airflow Selection Fault Code 22. SETUP ERROR—This fault indicates that setup switches SW1 or SW6 are ON when they should be OFF.HIGHPRESSURE SWITCH FAULT—This fault can occur under the scenarios shown below, keep in mind thatConnect other sideKeep in mind thatIs inducer blower wheel okay 31 30 —Otherwise, replace inducer. Pagina 25 9. Go to page number indicated in Index for CLEANUP AND STARTUP INSTRUCTIONS. — INDEXPagina 26 Fault Code 34—Ignition Proving Fault Fault Code 34. IGNITION PROVING FAULT—This fault can indicate 1 of the following. Pagina 27 Fault Code 41—Blower Outside Valid Speed Range 41. Make sure perforated disks are in combustionair vent inlet. — 42Pagina 28 23. Are ORANGE and VIOLET wires from PL3 and PL13 making good contact 24 17 —Pagina 29 Fault Code 42—Inducer Outside Valid Speed Range Fault Code 42. INDUCER OUTSIDE VALID SPEED RANGE—This fault indicates that inducer motor is not operating atIf possible, replace inducer wheel. Otherwise, replace inducer motor assembly. — 8BLOWER CALIBRATION FAULTThis fault indicates that calculated blower motor speed is below 250 or aboveIn an effort to provide a method of troubleshooting inducer and blower motor. Pagina 38 30. Does blower wheel rub against blower housing 16 31 —This variablespeed furnace has an Integrated Control and Motor. Pagina 41 Air Delivery CurvesFurnace Indoor Coil. Model Number Model Number. Serial Number Serial NumberPagina 48 SERVICE TRAINING. Your new furnace is truly a triumph of technology in homeThese are among the most energyefficient furnaces you canWe are proud of the technological advances incorporated into the design of these furnaces.

With only minimalSpend just a few minutes with this manual to learn the operation of your new furnace and the small amount of maintenance it takes to helpDealer Name. Address. City. State. Zip.

Telephone Model No. Serial No. Model No. Serial No. Burner sight glass for viewing burner flame. Operates with energy saving in shot burners and hot surface ignitor for safe, Blower access panel safety interlock switch. Collects moisture Wrings out more heat through condensation. Constructed with Polypropylene laminated steel to Stretches fuel dollars with the S shaped heat flow Control center. MANUALLY RESET. If the furnace is left unattended for an Your gas furnace uses air from outside the home for combustion and venting. It is not to be installed using in house Only trained and Untrained personnel can perform basic maintenance functions such as cleaning and replacing air filters. All other operations must be performed by trained service personnel. Observe safety precautions in this manual, on tags, and Recognize safety information. This is the safety alert Understand the signal words DANGER, WARNING, and. CAUTION. These words are used with the safety alert symbol. DANGER identifies the most serious hazards which will WARNING signifies hazards which could result in personal injury or death. CAUTION is used to identify unsafe practices which would Examine the NOTE Do not use this furnace if any part has been under Follow these important Wait 5 minutes to clear out any gas. Then smell for gas, If you smell gas, STOP! Follow "B" If you don't See section "Performing Routine Maintenance" in this manual. Then proceed as follows If lockout occurs, main Follow operating After ignition SUGGESTION Setting When room temperature Some thermostats have a FAN switch with 2 selections. AUTO and ON.

<http://eske.hu/wp-content/plugins/formcraft/file-upload/server/content/files/16273572863681--briggs-v-twin-manual.pdf>

When thermostat is set to AUTO, the It also continuously filters The following procedures must be followed Failure to follow this warning When excessive loss of airflow occurs, the furnace may If this condition is left unattended, the furnace will eventually lockout. It is recommended that the furnace filter be checked every 3 or 4 weeks Doing so may damage the furnace blower motor. An accumulation of dust and lint on internal parts The air filter is normally located in the blower compartment. To inspect, clean NOTE It will be necessary to remove 1 screw. Fig. 21 and 22. Instructions for basic However, before beginning maintenance, follow these safety precautions Cleanable Cleanable Cleanable. Measure the filter to obtain the When dirt, soot, scale or rust is allowed to build up, your Accumulations on the main burners can result in firing This delayed ignition creates an A mild liquid Spray water To inspect the combustion area and vent system, you will Inspect the gas burners and ignitor area for dirt, rust, or Failure of plastic components will occur. Call your dealer for service. ID tube to upper inducer To keep it performing properly and as a preventative to future problems, The following checklist can be NOTE The inducer and blower motors are prelubricated These motors can be Remedy any problem when necessary. Since the furnace uses a condensing heat exchanger, some Therefore, once it has been operated, it cannot Follow these procedures to winterize your furnace Is electrical supply on NOTE Turn off electrical supply before continuing with Reset it by pushing the button on the switch. If it trips again, See section "Shutting Down Your Furnace" in this manual. If the furnace still fails to operate, call your service If your furnace is not operating or not performing properly, If problem still exists, call your dealer for service. Is thermostat This furnace has an LED operation and fault code display The LED code can LEDs through the view port in the blower access panel.

[www.cmevalves.com/pictures/files/bp500u-manual.pdf](http://www.cmevalves.com/pictures/files/bp500u-manual.pdf)

NOTE Removing the blower access panel or turning off the To decipher the meaning of the LED code, and suggested MODEL 58MCA and 58MXA DIAGNOSTIC CHART Ignition Lockout or. Ignition Proving Fault M Check for blocked return air or supply air grilles. M Check to be sure manual shutoff valve in gas supply pipe is in the open position. Follow startup procedure if you open gas line.. NOTE Turn off the electrical supply and remove access doors before continuing with this M Check to be sure control knob on gas valve is in ON position. Follow startup procedures if you must reset Furnace Fuse Open. M Check for blown fuse and possible short in 24v wiring. Any Other. Fault Code. M Call

dealer for service. No Fault. Code. Signaled. Furnace Fails to Operate and No. Fault is Signaled. M Check for blown fuses and circuit breakers. M Check to be sure blower access panel is properly in place. The first digit is determined by the number of short flashes of the light and the second digit is determined by number of Limit Switch Lockout. M Check for blocked return air or supply air grilles. M Turn electrical supply off, then back on. Set the thermostat switch to call for heat. M Check to be sure manual shutoff valve in gas supply pipe is in open position. Follow startup procedure if NOTE Turn off the electrical supply and remove access doors before continuing with this checklist. Ignition Lockout or. Ignition Proving Fault. M Check to be sure control knob on gas valve is in ON position. Follow startup procedures if you must reset. M Check for disconnected ground wire. M Check for blown fuse and possible short in 24v wiring. Pressure Switch Fault. Speed Range. M Check for dirty air filters. M Check for blocked return or supply air grilles. NOTE In zoned applications, fault 44 may flash during operation when a single zone is calling for heat. When other zones call for heat, or the unit cycles, the fault should clear itself. Call for service if fault 12. Any Other Fault Code or Either of the. Red Lights On Continuously.

M Check thermostat for proper temperature setting. No Fault Code. Fault is Signaled. M Be sure thermostat switch is on HEAT. M Check for blown fuses and circuit breakers. M Check to be sure blower access panel is properly in place. Red light 2 on continuously means the microprocessor board has malfunctioned. Yellow light on continuously means furnace is operating in high heat. Green light on continuously means furnace is operating in low heat. The status codes are a 2 digit number. The first digit is determined by the number of flashes of the yellow light and the second digit is determined by number of TO OBTAIN INFORMATION ON PARTS Consult your installing dealer or classified section of your local telephone directory under the Carrier Corporation, Syracuse, New York 13221. Manufacturer reserves the right to discontinue, or change at any time, specifications or designs without notice and without incurring obligations. Copyright 1994 Carrier Corporation. Form OM5867. Replaces OM5861. Printed in the U.S.A. Carrier gas furnaces use a safety component known as a flame rollout switch to shut down the appliance when it overheats. If your Carrier furnace turns off unexpectedly, knowing the location of the flame rollout switch can come in handy. Fortunately, finding the flame rollout switch on a Carrier furnace takes just seconds. Serious injury or death can occur if repairs are performed while the furnace is connected to electrical and gas supplies. You can restore the electricity and gas to the furnace when you've completed your troubleshooting or repairs. In upflow models, the top access panel on the front of the furnace shields the burner components, while the bottom panel provides access to the blower components. Remove the burner access panel; pull the panel up and toward you to clear the tabs that hold the panel in place. The burner assembly is mounted to the top of the furnace cabinet. Find the flame rollout switch on the right side of the burner assembly housing.

The positioning of the components in downflow models are reversed in comparison to their positioning in upflow furnaces. To access the burner components in a downflow furnace, you'll need to remove the bottom front panel. Pull the panel up and toward you to free it. In Carrier downflow furnace models, the flame rollout switch is just above the gas burner. Once the flame rollout switch has been tripped, it must be reset before the appliance can produce heat again. Wait 30 minutes before attempting a furnace reset to allow the motor to cool down. Press and release the raised red button at the center of the flame rollout switch to reset the furnace. You can press the reset button up to three times before troubleshooting the furnace's internal components or calling for repair service; allow 30 minutes between each reset. Please try again. Please try again. In order to navigate out of this carousel please use your heading shortcut key to navigate to the next or previous heading. In order to navigate out of this carousel please use your heading shortcut key to navigate to the next or previous heading. Page 1 of 1 Start over Page 1 of 1 In order to navigate out of this carousel please use your heading shortcut key to navigate to the next or previous heading. Register a free business account Full content visible, double tap to read brief content. Please try your search

again later. Two high temperature ceramic wire nuts are also included and can be used if your existing plug is damaged or is not long enough. To calculate the overall star rating and percentage breakdown by star, we don't use a simple average. Instead, our system considers things like how recent a review is and if the reviewer bought the item on Amazon. It also analyzes reviews to verify trustworthiness. Please try again later. Michael Agnew 5.0 out of 5 stars I told him that i didnt need his help to replace a part at that price.

I ordered the part, went to you tube and found several guys who not only replaced the igniter but make good videos for you and I. I replaced the igniter in 5 minutes without issue. They last about 10 years. So if you have one, changing it is as easy as changing a light bulb. That's why we now have a brand new spare sitting in a box next to the furnace, and we always will. Buy an Extra! As I was troubleshooting the problem I discovered the surface ignitor was cracked. I ordered two of these so I could have an extra one on hand, and in case the product was delivered broken as other reviewers mention. Both parts arrived in good condition, well packed and work perfectly. My heater is back up and running again. Shipping was fast and it was appreciated since it was cold outside. Now I have an extra ignitor to keep on hand for when the new one goes bad. Definitely recommend. After some quick troubleshooting I found that the old igniter had cracked and needed replaced. I ordered it and after a couple days I had the replacement in my hand. I compared it to the original and seeing no differences I went ahead and installed it. All told it took me at most 5 minutes to replace the old igniter. The electrical plug fit perfectly into the existing wiring and the igniter fit perfectly into the original bracket. I plugged the replacement in, bolted it to the bracket, then finally bolted the bracket to the furnace. When I turned on power to the furnace it glowed orange and lit the burners no problem. Im warm and I saved a nice bit of money. I am now retired and travel to warmer places during the winter months so I replace this and the flame sensor a week or two before leaving and have never had a failure while away. It's cheap insurance and piece of mind. I also have a wifi thermostat which allows me to constantly monitor the furnace from anywhere in the world. These are quality HSI's and the price is unbeatable. I ordered both. This got here first.

Removing the old one I discovered how delicate they are. A bit like christmas ornaments. Treat them gently or you'll be buying a new one. I bought two, jic. Put it in the bracket, screwed it in, turned on furnace, igniter started working as designed. Amazon saved my butt. No one sells these in my area, and if they do it looks like they sell to contractors or service repairmen. I dont recommend working on a system that, if done wrong, could silently kill your family in ten minutes CO2. But this is simple. Igniter Ill replace that. Flame sensor OK! Anything else nope. Im going to use a pro for the rest. I figured out pretty quick that the issue was that it wasnt igniting, and a quick YouTube video helped me locate where the igniter was. After removing it, I checked every hardware store in town. Nobody had a single one in stock, so off to Amazon I went. It arrived today, and after loosening a single screw and unplugging the wire, we had heat again. I ordered a replacement and also a spare since having one of these handy can save an expensive service call; for some strange reason no one locally seems to sell them. This part is easy to replace in my Bryant 90 plus propane furnace, and it worked perfectly and restored by furnace to full operation as soon as it was installed. Packaging is excellent, and the part seems high quality. Thanks! Worked perfectly 5 min swap out with old ignitor. Older 2012 carrier furnace. Sorry, we failed to record your vote. Please try again Sorry, we failed to record your vote. Please try again Worked perfectly in my Carrier and was easy to replace. Sorry, we failed to record your vote. Please try again. VariabMeCapacity. Condensing. DkectVent. Gas FurnaceFor Sizes 040 120. ReadSeriesIndex. PageInstalledFurnacesDO NOT connectDownflow. StepFurnaces. The returnair. TheCteanable. Filters may be field modified by cutting filter material and support rods 3 inTable 92 NFPA 542002.

Gas valveHh,FailureNever purge a gas line into a combustionUse a commerciallyA failureFuter Arrangement. UseFailureCapped. PlaceThen connectIf a flexibleAn accessiblePanelFailure to follow

this caution Trap can be Install a sediment MUST be installed Fig Also, Refer to rating plate or Table Make Electrical. Gas Pipe Arrangement. Piping If pressure Electrical Fields supplied After all connections Check Proper No component Failure This may consist Failure Do not Relocation J box J box. Ta Me 4 Electrical National Blower A disconnecting The cabinet Connections. See Fig. 28 for field w Mng Step See Table 4 fbr wire size Use a separate Code CSAThe If test pressure States Code Ji. Use W2 with 2 stage thermostat when zoning. If any of the original wire, as supplied, must be replaced, use Application. Wiring Diagram The For additional No. Do not Switch Failure Failure to J bllow this caution Any electrical shorts of 240v wiring during installation, service, or Air leaner. The tarnace Connect Electronic Failure Air leaner The terminals The The HUM Zone Controller or The In I venting I fitrnace An improperly Place Vent Gas and Propane Natural Use the flame Adjust Do Deter leakage, Turn on any exhaust Venting Step Installation Propane Z223A NFPA 54 or the SA B149.1. Natural Gas and For any Electronic Air Clea net Connection Electro Nc Air Cleaner Connection Common. Rarne Rollout Switch Man Reset SPSTNC Factory Installed. Gas. Flame. Proving Sensor Electrode. Gas Valve Relay OPSf NO Pressure. Swath. Light Gas. Emitting. Diode Codes. Low Heat Pressure Switch SPSTNC. Limit Switch Auto Reset, SPSTNC. Printed. Cimuk Board Connector Manual Switch Status Code Recall SPSf N O . Manual Switdl. Low Heat Only SPSTNO. Manual Switch Low Heat Rise Adj SPSTNO. Manual Switch Air. Conditioning Relay. SPSI N Jumper Relay SPDT SW1 78 Manual Switches Blower Off Delay SPSTNO This When Center Failure Schedule 40 Schedule 40 Solvent. Cement. For ABS. Schedule 40. Solvent. Cement Fittings Fittings Schedule 40 Pipe DWV at Schedule 40 Cement. For CPVC. Cellular Core DWV at Schedule 40. Primer.

<http://schlammatlas.de/en/node/18519>