




File Name: Caldera aspire owners manual.pdf
Size: 1697 KB
Type: PDF, ePub, eBook
Category: Book
Uploaded: 14 May 2019, 17:14 PM
Rating: 4.6/5 from 839 votes.

Download Now!

Please check the box below to proceed.

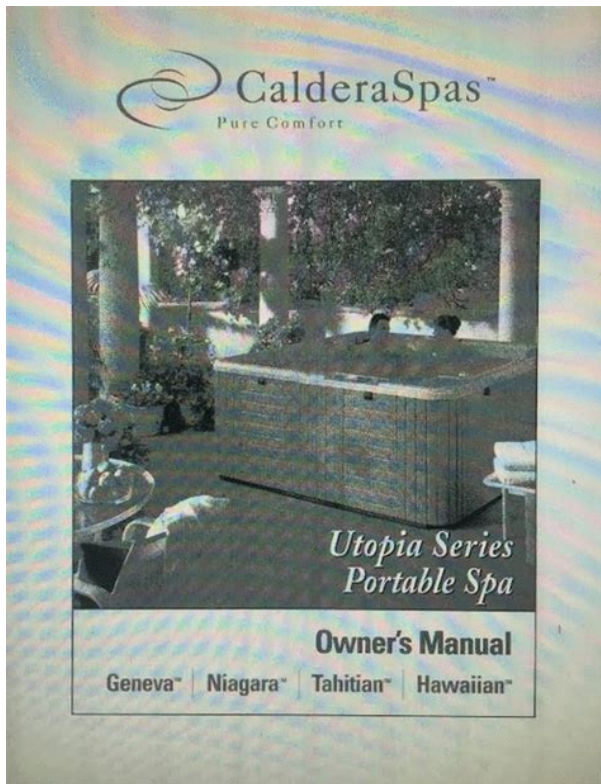


I'm not a robot


reCAPTCHA
[Privacy - Terms](#)

Book Descriptions:

Caldera aspire owners manual



Please upgrade your browser to improve your experience. Please keep this manual available for reference. Please keep this manual available for reference. Please upgrade your browser to improve your experience. Please keep this manual available for reference. Please keep this manual available for reference. Sacramento, CA 95691 New Hours By Appointment Service scheduling is open remotely. 916 3739699. If you are attempting to determine how to obtain a fishbone diagram root cause analysis in Word, then I have good news for you. You dont need to learn a new app to perform it. Actually, in the event that you currently have an understanding of the kind of system, then all you want to do is to simply copy the data from a Word document to your computer. There are several methods to get this fishbone diagram root cause analysis in Word system, but the best method is to just copy the data and paste it into a file. What I mean with that is that when you have created a Word file and you want to send it to another person, then it is possible to copy and paste the data into the other persons email. Another method to acquire this fishbone diagram root cause analysis in Word process is to get a program to do it to you. There are a couple programs which can be downloaded for free online. These programs are much cheaper than buying it and you can use them to make your own chart to show someone. However, the first problem with these programs is that you cannot talk about the information that you have created. Personally, I like to share the info with different folks, but there are many who wish to create their own charts to show others. Using this method to download a fishbone diagram root cause evaluation in Word is excellent since youre able to give your demonstration and explain everything to somebody and you may show the way the graph is being created.<http://www.industra.sk/userfiles/dig-dug-manual-pdf.xml>

- caldera aspire owners manual.



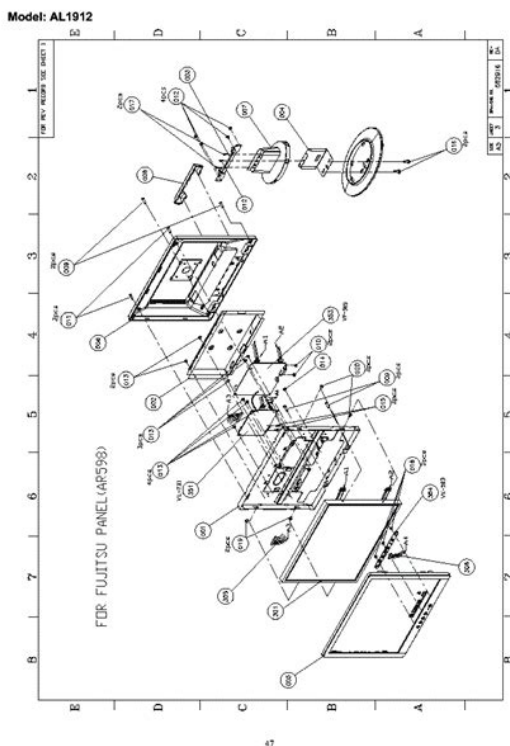
The next step that you will have to do in order to download a fishbone diagram root cause evaluation in Word is to choose a kind of document to move. It is possible to choose a text file or even a picture file. The reason I choose to select a graphical application to download is since it is easier to convert a picture file. When you would like to convert a graphic to text, you will simply have to open it up and open it in the term software. The next step to do to download a fishbone diagram root cause analysis in Word is to copy the data and paste it in your clipboard. The next step is to click the right arrow in the application, and paste the information in the listing that is displayed on the screen. And by having access to our ebooks online or by storing it on your computer, you have convenient answers with Caldera Spa Manual. To get started finding Caldera Spa Manual, you are right to find our website which has a comprehensive collection of manuals listed. Our library is the biggest of these that have literally hundreds of thousands of different products represented. I get my most wanted eBook Many thanks If there is a survey it only takes 5 minutes, try any survey which works for you. The diagrams are confusing and generally do not match with one another. Why is this 1 reason is that these diagrams do not inform us just how the brain actually works. A mind diagram which reveals what it controls should be easy to understand and compare. These diagrams have to be accurate. The diagram should not be too complex. After all, if the diagram is too complex, theres not any point in putting effort into creating it. The reader will just give up. In a diagram of the way the brain functions, neurons control information passing through the brain. There are a number of ways which information passes through the mind, from the chemicals in the blood flow to the synapses in the brain. All of these channels are connected to neurons.<http://safe-international.com/userfiles/dig-irrigation-9001ez-hose-end-timer-manual.xml>



The connections between neurons are called relations. Neurons allow information to pass from 1 neuron to another, and they also relay signals between cells. Neurons are the means by which data is translated from one form to another. By way of example, when you hear a phrase, the nerves send out a sign that helps the brain make a link between the two kinds of this phrase. This is a basic mechanism that is utilized by all living things, including individuals. When we do something, the brain controls our muscle moves, bodily reactions, behavior, and more, which help us to clarify how we think, act, and respond. It needs to be mentioned that simply because something is in our brains does not necessarily mean that we are going to act in a specific way. We will need to understand how to control our brains, as we know how to control our muscles. A brain diagram that shows what

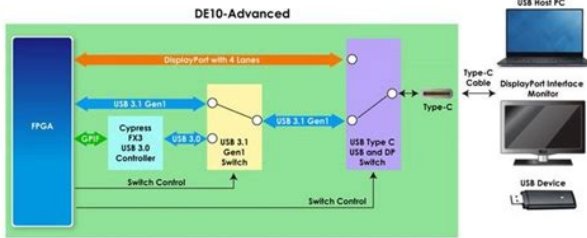
it controls is really a representation of how the mind is really linked to the remainder of the human body. In general, the mind controls the rest of the body through the nervous system. The nervous system is made up of nerves, which are the chemical messengers for the nerves in the rest of the body. If the nervous system is triggered, muscles will contract and the brain will convey exactly what it wants done. One thing which makes this new neurological science so fascinating is that we can know how it works. Our brains are not confined to doing things for us, however, are really active and accountable to our behaviors and answers. We know more about the way our brains operate, were more equipped to have the ability to design our own lives around the brains we have.

Ace Adapter Installation Instructions Hot Tub Troubleshooting Guide ACE Troubleshooting Quick Reference Guide Acid Wash Sheet Algae Treatment Chemical Startup for New Pools Chemicals Cleaning Filter Media General Pool Maintenance Hot Tub Troubleshooting Guide For more resources such as guides, warranties, howtos and spec sheets click the button below. You may unsubscribe at any time.

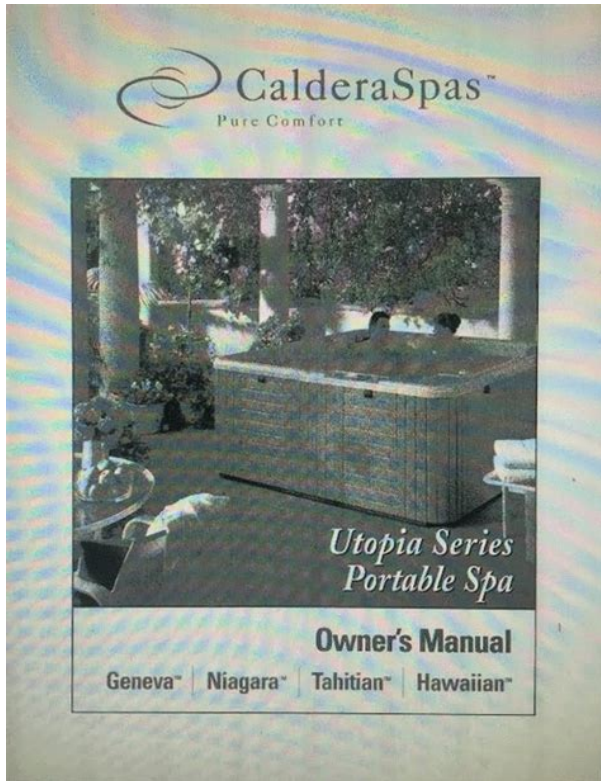


<https://labroclub.ru/blog/3m-mp7630-manual>

<http://dkc1burgas.com/images/breville-fan-assisted-breadmaster-manual.pdf>



<http://cleananddecluttered.com/images/breville-express-pressure-cooker-manual.pdf>



<http://kaplanpm.com/wp-content/plugins/formcraft/file-upload/server/content/files/1626f4351c2f7c---bosch-washer-was24460uc-manual.pdf>

domainsuite.com/ckfinder/userfiles/files/boss-fa-1-manual.pdf

<http://eco-region31.ru/3m-mp7630-manual>