

SERVICE MANUAL Level 1&2

RM-721 / RM-722



Transceiver characteristics

Band
RM-721:
GSM 850/900/1800/1900
WCDMA 900/1900/2100

RM-722:
GSM 850/900/1800/1900
WCDMA 850/1900/2100

Display
240 x 320 pix (QVGA) TFT display

Operating System
Series 40

Connections:
Bluetooth
3.5 mm AV connector
Micro USB

Transceiver with BL-5C battery pack

Talk time	Standby
BL-5C	BL-5C
GSM: 9 h 45 min	GSM: 450 h
WCDMA: 4 h 30 min	WCDMA: 450 h

Note:
Talk times are dependent on network parameters and phone settings

File Name: C2 01 manual.pdf

Size: 4146 KB

Type: PDF, ePub, eBook

Category: Book

Uploaded: 6 May 2019, 23:19 PM

Rating: 4.6/5 from 555 votes.

Download Now!

Please check the box below to proceed.



I'm not a robot



reCAPTCHA
Privacy - Terms

Book Descriptions:

C2 01 manual



Not following them may be dangerous or illegal. Read the complete user guide for further information. SWITCH ON SAFELY Do not switch the device on when wireless phone use is prohibited or when it may cause interference or danger. ROAD SAFETY COMES FIRST Obey all local laws. Always keep your hands free to operate the vehicle while driving. Your first consideration while driving should be road safety. INTERFERENCE All wireless devices may be susceptibleYour device may have preinstalled bookmarks and links for thirdparty internet sites and may allow you to access thirdparty sites. These are not affiliated with Nokia, and Nokia does not endorse or assume liability for them. If you access such sites, In most cases, this condition is normal.Nokia uses approved industry standards for memory cards, but some brands may not be fully compatible with this device. Incompatible cards may damage the card and the device and corrupt data stored on the card. Your device supports microSD memory cards with a capacity of up to 16 GB. A compatible memory card may be supplied with the device, and may already be inserted in the device. If the

device indicates a low charge, do the following 1 Connect the charger to a wall outlet. 2 Connect the charger to the device. 3 When the device indicates a full charge, disconnect the charger from the device, then from the wall outlet. You do not need to charge the battery for a specific length of time, and you can use the device while it is charging. If the battery is completely discharged, it may tAvoid touching the antenna area unnecessarily while the antenna is transmitting or receiving. Contact with antennas affects the communication quality and may cause a higher power level during operation and may reduce the battery life. The figure shows the GSM antenna area marked in grey. Headset Warning Continuous exposure to high volume may damage your hearing. <http://artistaalexanderkanevskywinnerinternationalaward.com/clientMedia/file/delonghi-heat-er-ew0507-manual.xml>

- nokia c2-01 manual network selection, nokia c2-01 service manual pdf, nokia c2-01 service manual, nokia c2-01 manual, nokia c2 01 manual pdf, nokia c2 01 manual download, nokia c2-01 manual internet settings, nokia c2-01 user manual, nokia c2-01 instruction manual, c2-01 manual.

CITROËN C4

MANUAL DE taller 1.6i 10V - 1.6 HDI 100 CV
S. SUSPENSIÓN - TRENES

CUNA DELANTERA

1. Cuna delantera
2. Prolongación de cuna izquierda
3. Prolongación de cuna derecha
4. Travesaño delantero
5. Triente izquierdo
6. Triente derecho
7. Tornillo 12 * 175 (B)
8. Tornillo de base 12 * 175-65 (apretar a 10,4 + 1 caNm)
9. Tuerca de base 8 * 125-7,3-13 (tuerca freno 16 * 150-24 en CVTETD4)
10. Tornillo 74 RDX, 10 * 150-25 (tornillo 11 * 100-35 en CVTETD4)



Suspensión - tren trasero

AMORTIGUADOR

DESMONTAJE Y MONTAJE

- Levantar y apoyar el vehículo, ruedas traseras colgando.
- Desmontar las ruedas traseras.
- Poner un ál de levantamiento en "A" (Fig. 27).



FIG. 27

MUELLE

DESMONTAJE Y MONTAJE

- Levantar y apoyar el vehículo sobre un puente de 2 columnas.
- Desmontar el silencioso trasero de escape.
- Lado derecho e izquierdo.
- poner un ál de levantamiento en "A" (Fig. 27)
- comprimir ligeramente el muelle de suspensión
- desmontar el tornillo (1)
- descomprimir el muelle de suspensión
- desmontar el muelle de suspensión



FIG. 28

Al montar, proceder en orden inverso al desmontaje respetando los puntos siguientes:

- montar y apretar los tornillos (2)
- montar el tornillo (1) sin apretarlo
- montar las ruedas traseras y colocar el vehículo en el suelo.
- apretar el tornillo (1)

MUELLE

DESMONTAJE Y MONTAJE

- Levantar y apoyar el vehículo sobre un puente de 2 columnas.
- Lado derecho e izquierdo.
- poner un ál de levantamiento en "A" (Fig. 27)
- comprimir ligeramente el muelle de suspensión
- desmontar el tornillo (1)
- descomprimir el muelle de suspensión
- desmontar el muelle de suspensión



FIG. 29

Comprobar el estado del muelle de suspensión (ausencia de rasguños de pintura, rayas o picaduras de corrosión). El resquebrajamiento de pintura del muelle de suspensión no debe estar dañado, dejando el metal al descubierto.

Al montar, proceder en orden inverso al desmontaje respetando los puntos siguientes:

- comenzar el montaje de los muelles de suspensión por el lado trasero derecho del vehículo.
- posicionar el tope "B" de la cabeza superior del muelle de suspensión hacia la parte delantera del vehículo (Fig. 29).

Listen to music at a moderate level, and do not hold tListen to music at a moderate level, and do not hold the device near your ear when the loudspeaker is in use. To adjust the earpiece or loudspeaker volume during a call or when listening to an audio file or the FM radio, scroll up or down. Standby mode When the phone is ready for use, and you have not entered any characters, the phone is in the standby mode. 1 Network signal strength 2 Battery chargeThe currently active profile is timed. A headset is connected to the device. The device is connected to another device, using a USB data cable. Navigate the menus The device functions are grouped into menus. Not all menu functions or option items are described here. In the home screen, select Menu and the desired menu and submenu. Exit the current menu level Select Exit or Back. Return to the home screen Press the end key. Change the menu viWhen you write text, press and hold Options to switch between traditional text input, indicated by, and predictive text input, indicated by. Not all languages are supported by

predictive text input. The character cases are indicated by,, and.About Ovi Store In Ovi Store, you can download mobile You can send and receive business cards from devices that support the vCard standard. Calls Make and answer a call Make a call Enter the phone number, including the country and area code if necessary, and press the call key.Make a call using speed dialling In the standby mode, press and hold the desired number key. Log To view information about your calls, messages, and data and synchronisation events, select MenOnly devices that have compatible features can receive and display multimedia messages. The appearance of a message may vary depending on the receiving device. The wireless network may limit the size of MMS messages. If the inserted picture exceeds this limRead an email Select an email and Open. Important Exercise caution when opening messages.<http://drpbanerji.org/userfiles/delonghi-esam6700-manual.xml>



Nokia C2-01
RM-721 / RM-722
Service Manual Level 1&2

SERVICE MANUAL
Level 1&2

RM-721 / RM-722



Transceiver characteristics

Band

RM-721:
GSM 850/900/1800/1900
WCDMA 900/1900/2100

RM-722:
GSM 850/900/1800/1900
WCDMA 850/1900/2100

Display

240 x 320 pix (QVGA) TFT display

Operating System

Series 40

Connections:

Bluetooth
3.5 mm AV connector
Micro USB

Transceiver with BL-5C battery pack:

Talk time	Standby
BL-5C	BL-5C
GSM: 8 h 45 min	GSM: 430 h
WCDMA: 4 h 30 min	WCDMA: 450 h

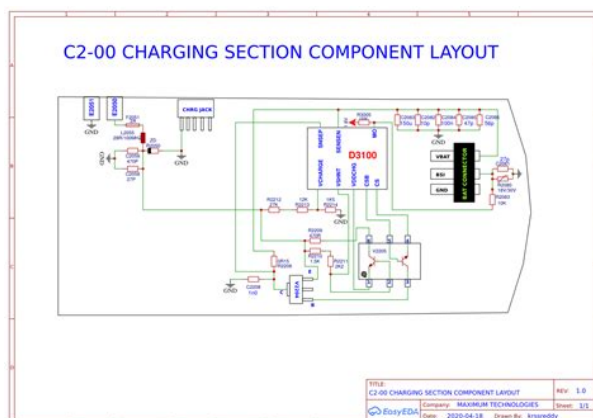
Note:

Talk times are dependent on network parameters and phone settings

Messages may contain malicious software or otherwise be harmful to your device or PC. Emails with attachments, for example, images, are marked with a paperclip icon. Some attachments may not be compatible with your device, and cannot be displayed on your device. View attachme. ROAD SAFETY COMES FIRST Obey all local laws. These are not affiliated with Nokia, and Nokia does not endorse or assume liability for them. If you access such sites, take precautions for security or content. In most cases, this condition is normal. If you suspect the device is not working properly, take it to the nearest authorised service facility. Press and slide the back cover towards the bottom of the phone, and remove it 1. Remove the battery 2. Nokia uses approved industry standards for memory cards, but some brands may not be fully compatible with this device. Incompatible cards may damage the card and the device and corrupt data stored on the card. If the device indicates a low charge, do the following Connect the charger to a wall outlet. Connect the charger to the device. When the device indicates a full charge, disconnect the charger from the device, then from the wall outlet. Do not connect products that create an output signal as this may cause damage to the. For more information, contact a Nokia Care point or your device dealer. The PIN code supplied with the SIM card protects the card against unauthorised use. Listen to music at a moderate level, and do not hold the device near your ear when the loudspeaker is in use. To adjust the earpiece or loudspeaker volume during a call or when listening to an audio file or the FM radio, scroll up or down. Calls are

limited to a closed user group. The currently active profile is timed. Navigate the menus The device functions are grouped into menus. Start writing the next word. Nokia account and Nokias Ovi services You can create a Nokia account either on your PC or on your mobile device. To learn more about Ovi, go to www.ovi.com.

To create a Nokia account later, use your device to access an Ovi service, and you are prompted to create an account. About. You can send and receive business cards from devices that support the vCard standard. Enter the desired phone number, or select Search and a saved contact. Activate speed dialling Select Menu Settings. For details, contact your service provider. Follow the instructions. Emails with attachments, for example, images, are marked with a paperclip icon. Select Create message Audio message. Multimedia msgs. — Allow delivery reports and the reception of multimedia messages and advertisements, and set up other preferences related to multimedia messages. Service messages — Activate service messages, and set up preferences related to service messages. Certain dates are shown in the calendar using different colours, for example, red. This does not necessarily indicate that the date is a public holiday in Hong Kong. Capture an image Select Capture. Set the preview mode and time Select Options. Listen to music at a moderate level, and do not hold the device near your ear when the loudspeaker is in use. Warning Continuous exposure to high volume may damage your hearing. Listen to music at a moderate level, and do not hold the device near your ear when the loudspeaker is in use. Other transfer methods may not transfer the activation keys which need to be restored with the content for you to be able to continue the use of OMA DRMprotected content after the device memory is formatted. There are various settings groups called profiles, which you can customise with ringtones for different events and environments. Connectivity security Nokia understands how important it is that your mobile phone or device operates reliably and that your personal content is saved safely. Any information from an unknown or unreliable source, for example, via Bluetooth connectivity, multimedia message, or cable, may harm your PC, mobile phone, or device.

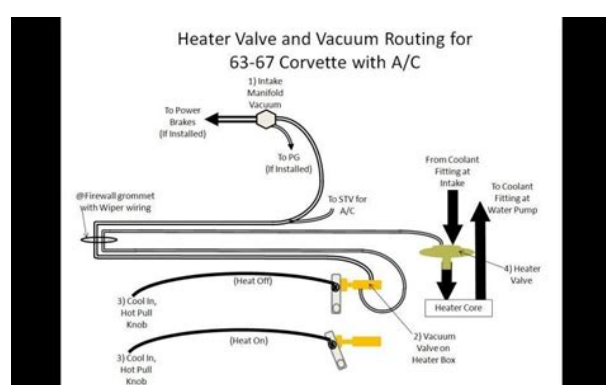


<http://schlammatlas.de/en/node/15662>

This is a friendly reminder, the mentioned function may vary from different device model. You can use your device as a modem by connecting it to a compatible PC using Bluetooth technology. For details, see the Nokia Ovi Suite documentation. Call and phone Select. About device software updates With device software updates, you can get new features and enhanced functions for your device. Make sure that the device battery has enough power, or connect the charger before starting the update. After you update your device software, the instructions in the user guide may no longer be up to date. The use of any other types may invalidate any approval or warranty, and may be dangerous. In particular, use of unapproved chargers or batteries may present a risk of fire, explosion, leakage, or other hazard. The battery intended for use with this device is BL5C. Nokia

may make additional battery models available for this device. This device is intended for use when supplied with power from the following chargers AC3. This way you help prevent uncontrolled waste disposal and promote the recycling of materials. Accessibility solutions Nokia is committed to making mobile phones easy to use for all individuals, including those with disabilities. For more information, visit the Nokia website at www.nokiaaccessibility.com. Vehicles RF signals may affect improperly installed or inadequately shielded electronic systems in motor vehicles such as electronic fuel injection, electronic antilock braking, electronic speed control, and air bag systems. These Terms constitute an agreement between you and Nokia Corporation, including its affiliates and suppliers collectively "Nokia", defining your and Nokia's rights and responsibilities with respect to the Service. Upon first use of your device and after you have updated the Nokia device software an activation text message will be sent to Nokia.

<http://daniela-vashiron.com/images/brady-labelmark-5-manual.pdf>



Nokia will charge your credit card or debit your bank account within a reasonable time after you have made your purchase. In the event that after your purchase you discover and promptly inform Nokia within 48 hours that a the Content you have purchased is faulty;. If the Terms are changed in a material, adverse way, Nokia will provide a separate notice advising of such change. This may also include location based advertizing. Some location based services may allow you to associate your personal data with your location. In the activation process your user name, email address, mobile number, unique mobile device identifier and subscriber identity information will be sent to Nokia and we may associate this information with your Nokia Account. However, we do not use them to identify individual users personally. However, if this Policy is changed in a material, adverse way, Nokia will post a notice advising of such change at the beginning of this Policy and on this sites home page for 30 days. Contents Text and multimedia messages 18 Safety 4 Flash messages 21. Page 3 Contents 3. Save energy 33. Recycle 33. Product and safety information 34 Safety. Read these simple guidelines. Not following them may be dangerous or illegal. Read Page 5 Safety 5. About your device. The wireless device described in this guide is approved for use on the EGSM. Page 6 6 Safety. During extended operation such as a high speed data connection, the device may feel Get started. Keys and parts The SIM card and its contacts can be easily damaged by scratches or bending, so be Insert a memory card. Use only compatible microSD cards approved by Nokia for use with this. Page 10 10 Get started. Charge the battery. Your battery has been partially charged at the factory. If the device indicates a. Page 11 Get started 11. GSM antenna. Your device may have internal and external antennas. Avoid touching the antenna area Basic use. Keypad lock.

<http://danijel-prevod.com/images/brady-label-tls2200-manual.pdf>



Volume control Continuous exposure to high volume may damage your hearing. Listen to music at.
Page 14 14 Basic use Write text. Text modes. To enter text for example, when writing messages you can use traditional. Page 16 16 Contacts. With Nokias Ovi services and your Nokia account, you can, for example. Page 17 Calls 17. Select where to save contacts, how contacts are displayed, and the memory Select Settings. Page 18 18 Messaging. Dialling shortcuts. Assign a phone number to a number key. Page 19 Messaging 19 Read, write, and send an email. Flash messages. Flash messages are text messages that are instantly displayed upon reception. Page 22 22 Organiser. Text messages — Set up message centres for text messages and activate delivery Multimedia msgs. — Allow. Page 23 Web or Internet 23. The todo list is displayed and sorted by priority. To add, delete, or send a. Page 24 24 Media. Capture an image. Select Capture. Set the preview mode and time. Page 25 Media 25. Switch between saved stations. Scroll left or right to switch between stations, or press the corresponding number. Page 26 26 Gallery. Start or pause playing. Press the scroll key. Skip to the beginning of the current song. Scroll left. Page 27 Settings 27 With the Flight profile you cannot make or receive any calls, including emergency calls, Create backup — Back up selected data to a connected external storage device. Restore backup — Restore. Page 30 30 Settings Page 31 Find more help 31. Display or hide your number to the person you are calling. Select Send my caller. Page 32 32 Find more help If you install a software update, you cannot use the device, even to make emergency. Page 33 Protect the environment 33 The software. Page 34 34 Product and safety information. The crossed out wheeled bin symbol on your product, battery, literature, or packaging Page 35 Product and safety information 35. Do not shortcircuit. Accidental shortcircuiting can occur when a metallic object such as a.

Page 36 36 Product and safety information. Take care of your. Page 37 Product and safety information 37 Switch off your device when regulations posted instruct. Page 38 38 Copyright and other notices Emergency call numbers vary by. Page 39 Copyright and other notices 39. Includes RSA BSAFE cryptographic or security protocol software from RSA Security. Follow these instructions to choose a network. Select network automatically, go to 2b. Your phone searches for networks within range. A list of available networks will show on your display. Your display will tell you if youve access to the network youve chosen. Select network automatically, go to 2b. Your phone searches for networks within range. A list of available networks will show on your display. Your display will tell you if youve access to the network youve chosen. Page Count 39 Not following them may be danger ous or illegal. SWITCH ON SAFE LY Do not switch the device on wh en wire less phone use is prohibited or when it may cause interference or danger. ROAD SAFETY COMES FI RST Obey all local laws. Your first consideration wh ile driving should be road safety. INTERFERENCE All wireless devices may be susceptibl e to interference, which could affect performance. SWITCH OFF IN RES TRICTED AREAS Follow any restrictions. Switch the de vice off in aircraft, near medical equipment, fuel, chemicals, or blasting areas. QUALIFIED SERVIC E Only qualified personnel may in stall or repair this product. ACCESSORIES AND BATTERIES Use only approved accessories an d ba tteries. Do not connect incompatible products. WATERRESISTA NCE Your device is not waterresista nt. Keep it dry. 4S a f e t y Your device may have preinstalled bookmark s and links for thirdparty internet sites and may allow y ou to access t hirdparty sites. These are not affili ated with Nokia, and Nokia does not endorse or assume liability for them. If you access such sites, take precautions for security or content.

thanhlamresort.vn/wp-content/plugins/formcraft/file-upload/server/content/files/1626e8d9873423---bosch-innowave-microwave-manual.pdf

Warning To use any features in this device, other than the alarm clock, the device must be switched on. Do not switch the device on when wireless device use may cause interference or danger. When using this device, obey all laws and respect local customs, privacy and legitimate rights of others, including copyrights. Copyright protection may prevent some images, music, and other content from being copied, modified, or transferred. Make backup copies or keep a written record of all important information stored in your device. When connecting to any other device, read its user guide for detailed safety instructions. Do not connect incompatible products. The images in this guide may differ from your device display. Refer to the user guide for other important information about your device. Network services To use the device you must have service from a wireless service provider. Some features are not available on all networks; other features may require that you make specific arrangements with your service provider to use them. Network services involve transmission of data. Check with your service provider for details about fees in your home network and when roaming on other networks. Your service provider may have requested that certain features be disabled or not activated in your device. If so, these features will not appear on your device menu. Your device may also have customized items such as menu names, menu order, and icons. Safety 5 In most cases, this condition is normal. If you suspect the device is not working properly, take it to the nearest authorized service facility. 6 Safety This device does not support the use of microSIM cards and use of incompatible SIM cards may damage the card or the device, and may corrupt data stored on the card. Get started 7 Nokia uses approved industry standards for memory cards, but some brands may not be fully compatible with this device.

AVE-FRANCE.COM/pics/files/93-honda-civic-factory-service-manual.pdf

Incompatible cards may damage the card and the device and corrupt data stored on the card. A compatible memory card may be supplied with the device, and may already be inserted in the device. If not, do the following 1 Open the cover of the memory card slot. 2 Insert the card into the memory card slot with the contact surface facing up, and press until it locks into place. 3 Close the cover of the memory card slot. Remove the memory card Important Do not remove the memory card during an operation when the card is being accessed. Doing so may damage the memory card and the device, and corrupt data stored on the card. You can remove or replace the memory card during phone operation without switching the device off, but you need to make sure that no application is currently accessing the memory card. Get started 9 If the device indicates a low charge, do the following 1 Connect the charger to a wall outlet. 2 Connect the charger to the device. 3 When the device indicates a full charge, disconnect the charger from the device, then from the wall outlet. If the battery is completely discharged, it may take several minutes before the charging indicator appears on the display or before any calls can be made. Attach the wrist strap Thread the wrist strap as shown, and tighten it. Switch the device on or off Press and hold the power key. You may be prompted to get the configuration settings from your service provider network service. For more information, contact your service provider. 10 Get started Avoid touching the antenna area unnecessarily while the antenna is transmitting or receiving. Contact with antenna affects the communication quality and may cause a higher power level during operation and may reduce the battery life. The figure shows the GSM antenna area marked in grey. Headset Warning Continuous exposure to high volume may damage your hearing.

Listen to music at a moderate level, and do not hold the device near your ear when the loudspeaker is in use. Warning When you use the headset, your ability to hear outside sounds may be affected. Do not use the headset where it can endanger your safety. When connecting any external device or any headset, other than those approved by Nokia for use with this device, to the Nokia AV Connector, pay special attention to volume levels. Do not connect products that create an output

signal as this may cause damage to the device. Do not connect any voltage source to the Nokia AV Connector. Get started 11 When you end or reject a call, the keypad locks automatically. When the device or keypad is locked, calls may be possible to the official emergency number programmed into your device. Access codes The security code helps to protect your device against unauthorised use. The preset code is 12345. You can create and change the code, and set the device to request the code. Keep the code secret and in a safe place separate from your device. If you forget the code and your device is locked, your device will require service. Additional charges may apply, and all the personal data in your device may be deleted. For more information, contact a Nokia Care point or your device dealer. The PIN code supplied with the SIM card protects the card against unauthorised use. The PIN2 code supplied with some SIM cards is required to access certain services. If you enter the PIN or PIN2 code incorrectly three times in succession, you are asked for the PUK or PUK2 code. If you do not have them, contact your service provider. The module PIN is required to access the information in the security module of your SIM card. The signing PIN may be required for the digital signature. The barring password is required when using the call barring service. Listen to music at a moderate level, and do not hold the device near your ear when the loudspeaker is in use.

Standby mode When the phone is ready for use, and you have not entered any characters, the phone is in the standby mode. 1 Network signal strength 2 Battery charge level 3 Network name or operator logo 4 Functions of selection keys The left selection key is Go to for you to view the functions in your personal shortcut list. Indicators You have unread messages. You have unsent, cancelled, or failed messages. The keypad is locked. The device does not ring for incoming calls or text messages. The device is registered to a 3G UMTS network. Bluetooth is activated. All incoming calls are diverted to another number. Basic use 13 The currently active profile is timed. The device is connected to another device, using a USB data cable. Navigate the menus The device functions are grouped into menus. Shortcuts With personal shortcuts, you can get quick access to frequently used phone functions. Assign phone functions to the selection keys Select Right selection key or Left selection key and a function from the list. Select shortcut functions for the scroll key Select Navigation key. Scroll to the desired direction, and select Change or Assign and a function from the list. Operator menu Access a portal to services provided by your network operator. For more information, contact your network operator. The operator can update this menu with a service message. Use your device without a SIM card Some features of your device may be used without inserting a SIM card, such as games. Features that are unavailable when the flight profile is activated cannot be selected in menus. 14 Basic use When you write text, press and hold Options to switch between traditional text input, indicated by, and predictive text input, indicated by. The character cases are indicated by,, and. Traditional text input Press a number key, 29, repeatedly until the desired character is displayed. The available characters depend on the selected writing language.

If the next character you want is located on the same key as the present one, wait until the cursor appears, and enter the character. To insert common punctuation marks and special characters, press 1 repeatedly. To insert a space, press 0. Predictive text input Predictive text input is based on a built-in dictionary to which you can also add new words. 1 Start writing a word, using the keys 2 to 9. To add the word to the dictionary, select Spell. Write the last part of the word, and confirm the word. 3 Start writing the next word. Nokia account and Nokias Ovi services You can create a Nokia account either on your PC or on your mobile device. Basic use 15 About Ovi Store In Ovi Store, you can download mobile games, applications, videos, images, themes, and ringing tones to your device. Some items are free of charge; others you need to pay for with your credit card or in your phone bill. The availability of payment methods depends on your country of residence and your network service provider. Ovi Store offers content that is compatible with your mobile device and relevant to your tastes and location. You can save names and phone numbers in the device memory or on the

SIM card. In the device memory, you can save contacts with numbers and text items. Names and numbers saved on the SIM card are indicated with. Add a contact Select Add new. Add details to a contact Ensure that the memory in use is either Phone or Phone and SIM. Search for a contact Select Names, and scroll through the list of contacts or enter the first letters of the name. On the SIM card, you can save only one phone number for each name. 16 Contacts You can send and receive business cards from devices that support the vCard standard. Calls Make and answer a call Make a call Enter the phone number, including the country and area code if necessary, and press the call key. Answer an incoming call Press the call key. Reject a call Press the end key.

Adjust the volume During a phone call, scroll up or down. Loudspeaker If available, you may select Loudspeaker. Warning Continuous exposure to high volume may damage your hearing. Listen to music at a moderate level, and do not hold the device near your ear when the loudspeaker is in use. Calls 17 Make a call using speed dialling In the standby mode, press and hold the desired number key. Note The actual invoice for calls and services from your service provider may vary, depending on network features, rounding off for billing, taxes, and so forth. Messaging You can send and receive text, multimedia, audio, and flash messages. You can also send and receive mail. The messaging services can only be used if your network or service provider supports them. Text and multimedia messages You can create a message and optionally attach, for example, a picture. Your phone automatically changes a text message to a multimedia message when a file is attached. Text messages Your device supports text messages beyond the limit for a single message. Longer messages are sent as two or more messages. Your service provider may charge accordingly. Characters with accents, other marks, or some language options take more space, and limit the number of characters that can be sent in a single message. The total number of characters left and the number of messages needed for sending are displayed. To send messages, the correct message centre number must be stored in your device. Normally, this number is set by default through your SIM card. To set the number manually, do the following 18 Messaging Only devices that have compatible features can receive and display multimedia messages. The appearance of a message may vary depending on the receiving device. The wireless network may limit the size of MMS messages. If the inserted picture exceeds this limit, the device may make it smaller so that it can be sent by MMS. Important Exercise caution when opening messages.

Messages may contain malicious software or otherwise be harmful to your device or PC. For availability and subscription to the multimedia messaging service MMS, contact your service provider. To select a recipient, select Add. You can have more than one recipient. 3 In the Text field, write your message. To attach content to the message, scroll to the attachment bar at the bottom of the display, and select the desired type of content. The message type changes automatically to multimedia message. 4 Select Send. Note The message sent icon or text on your device screen does not indicate that the message is received at the intended destination. Service providers may charge differently depending on the message type. For details, contact your service provider. If you do not already have an email account, you can create a Nokia account, which includes the Ovi Mail service. Messaging 19 Read an email Select an email and Open. Emails with attachments, for example, images, are marked with a paperclip icon. View attachments Select an attachment and View. Send the email Select Send. Close the email application Select Sign Out. Chat with your friends You can chat with other online users using your device. You can use an existing account for an IM community that is supported by your device. If you are not registered to an IM service, you can create an account for a supported IM service, using your computer or your device. The menus may vary, depending on the IM service. To select a recipient, select Add. You can have more than one recipient. 3 In the Message field, write your message. The voice recorder opens. 2 To record your message, select. 3 To stop recording, select. 4 In the To field, enter the recipient's number. You can have more than one recipient. 5 Select Send. Voice messages The voice mailbox is a network service to which you may need to subscribe. For more information, contact your service provider.

Call your voice mailbox Press and hold 1.

<https://labroclub.ru/blog/3ld1-repair-manual>